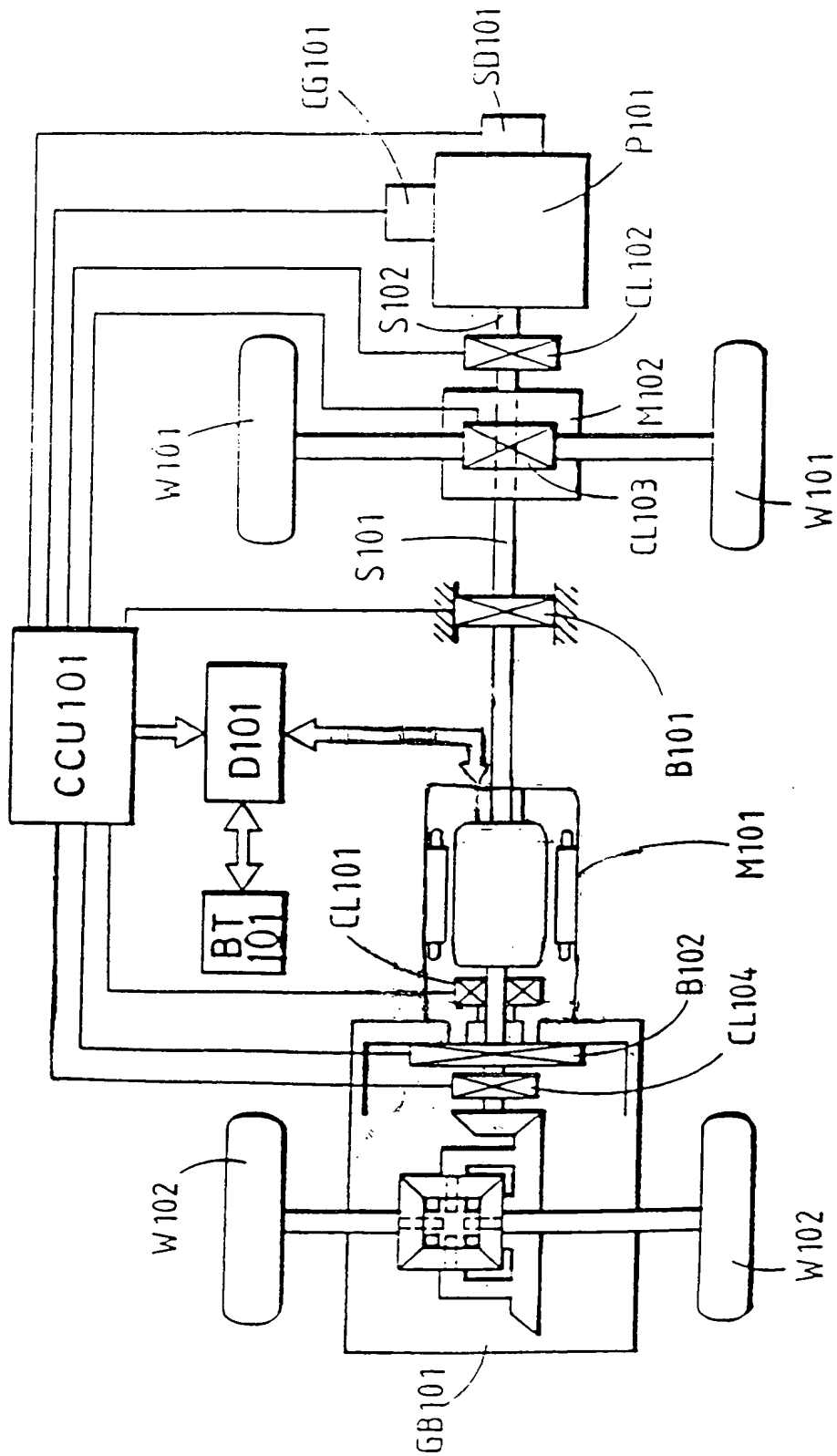
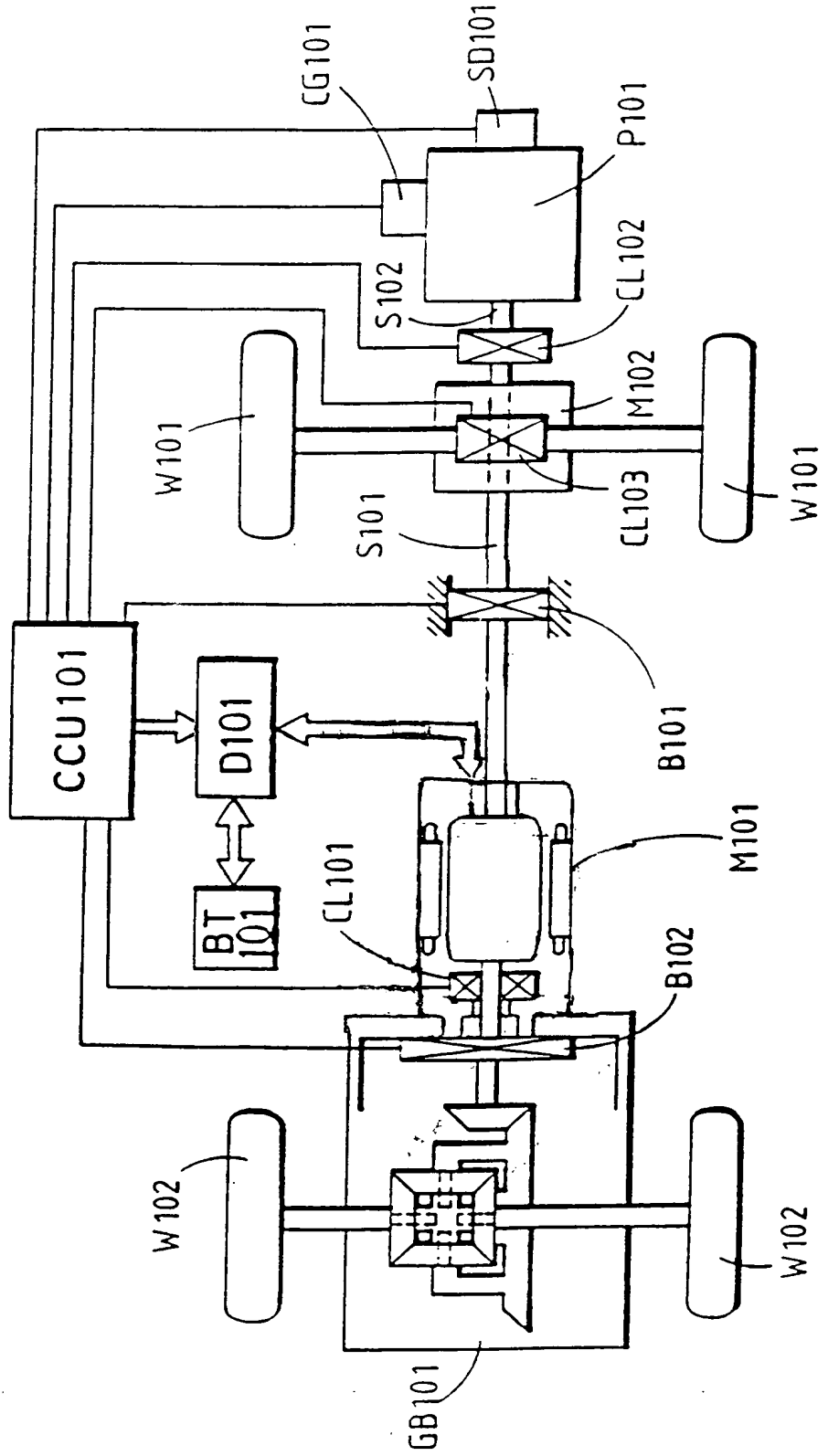
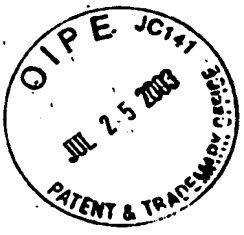


AMENDED FIG. 1

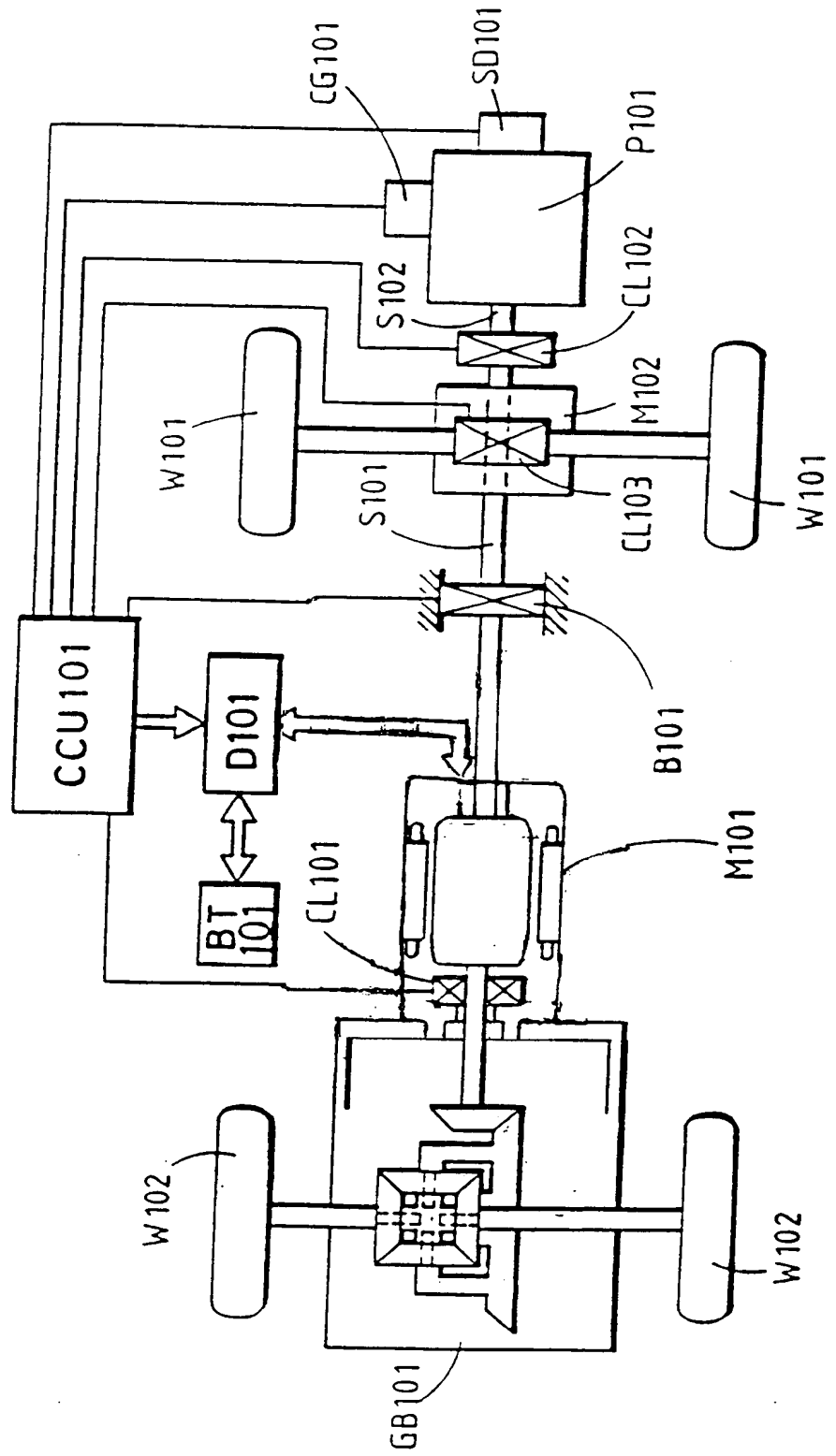


AMENDED FIG. 2



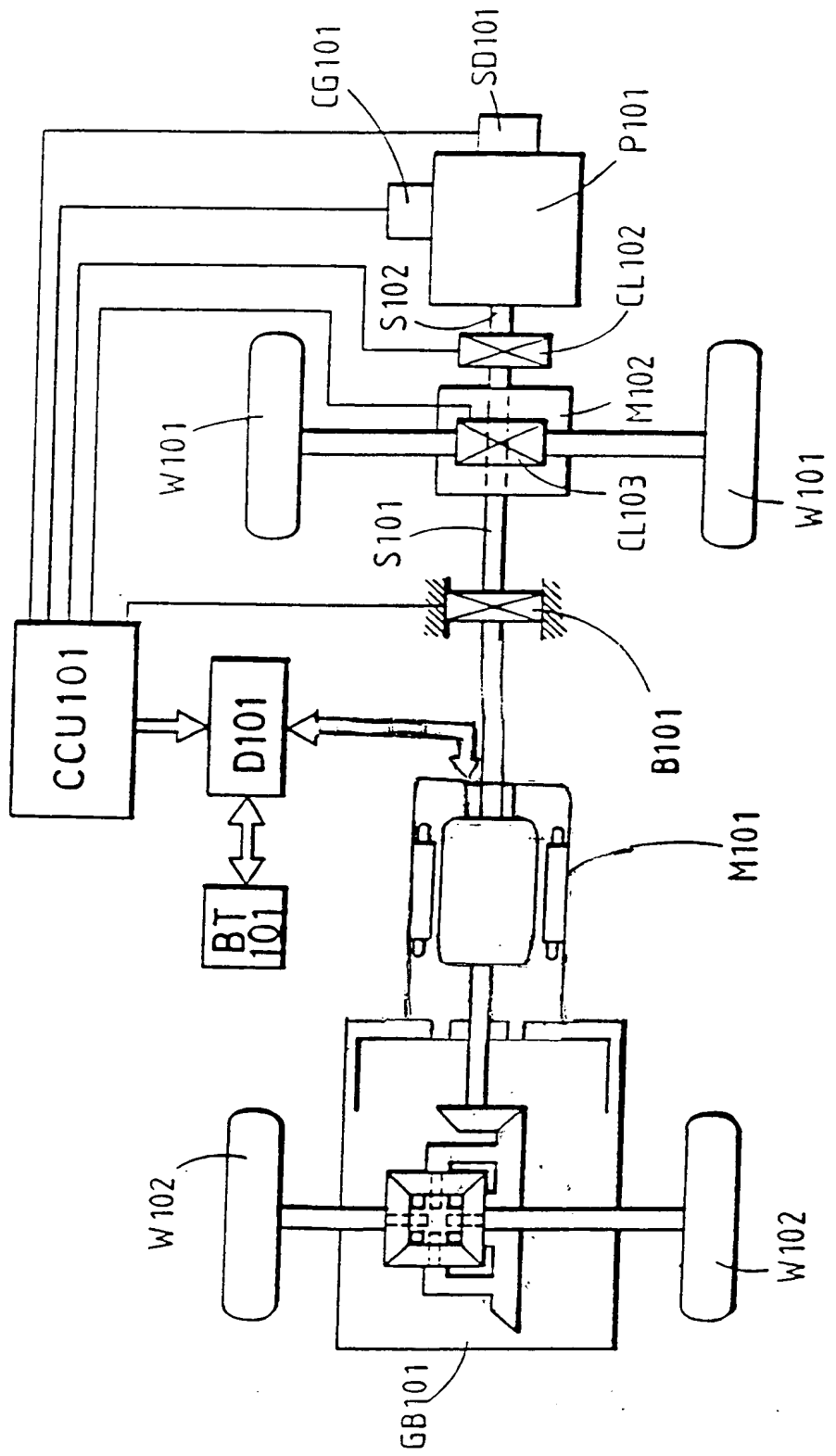


AMENDED FIG. 3

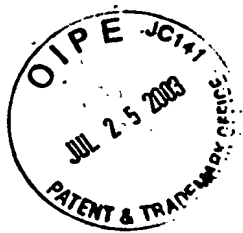




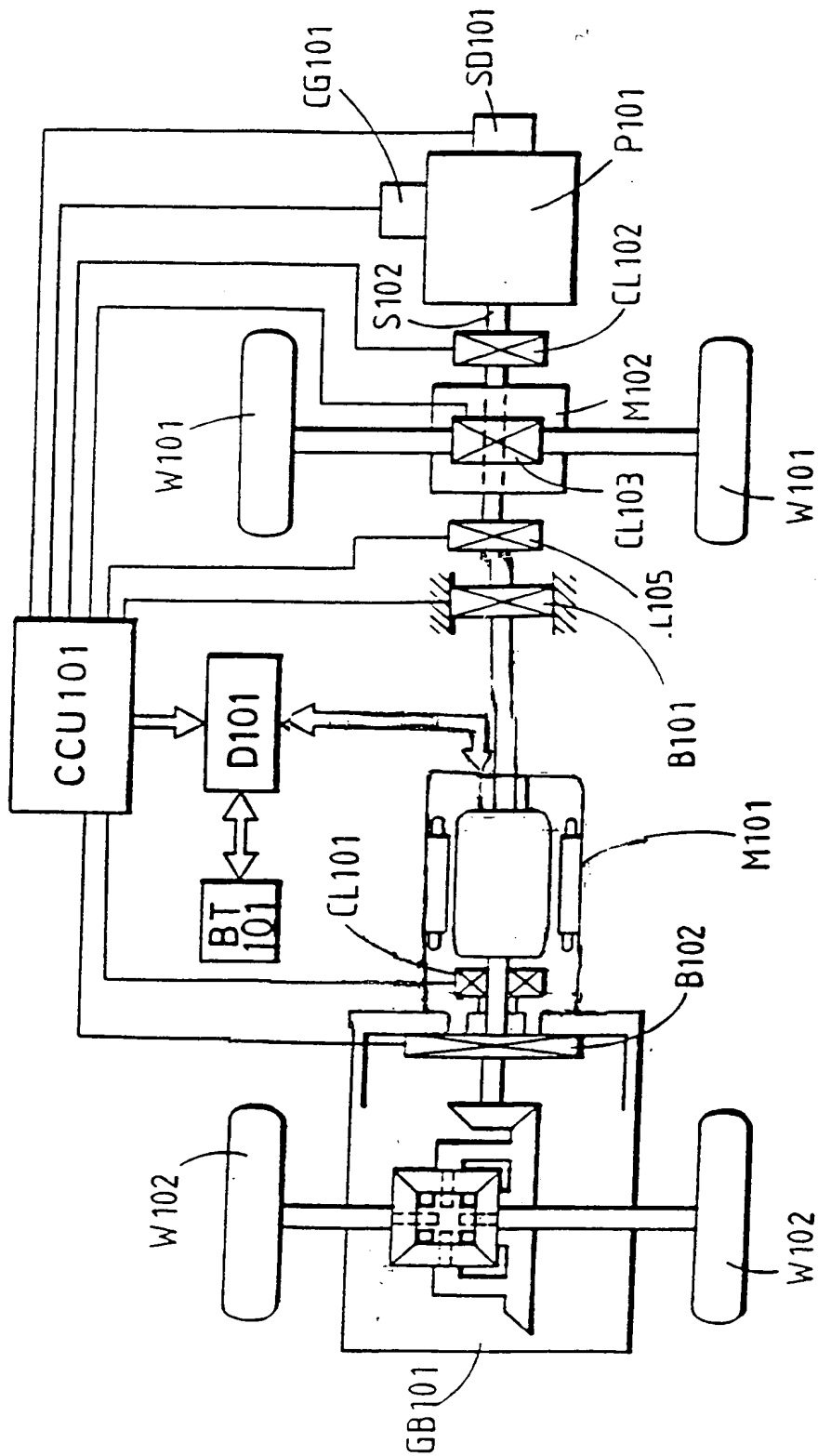
AMENDED FIG. 4

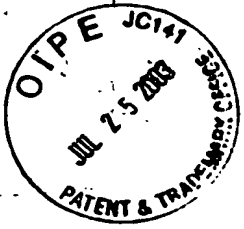




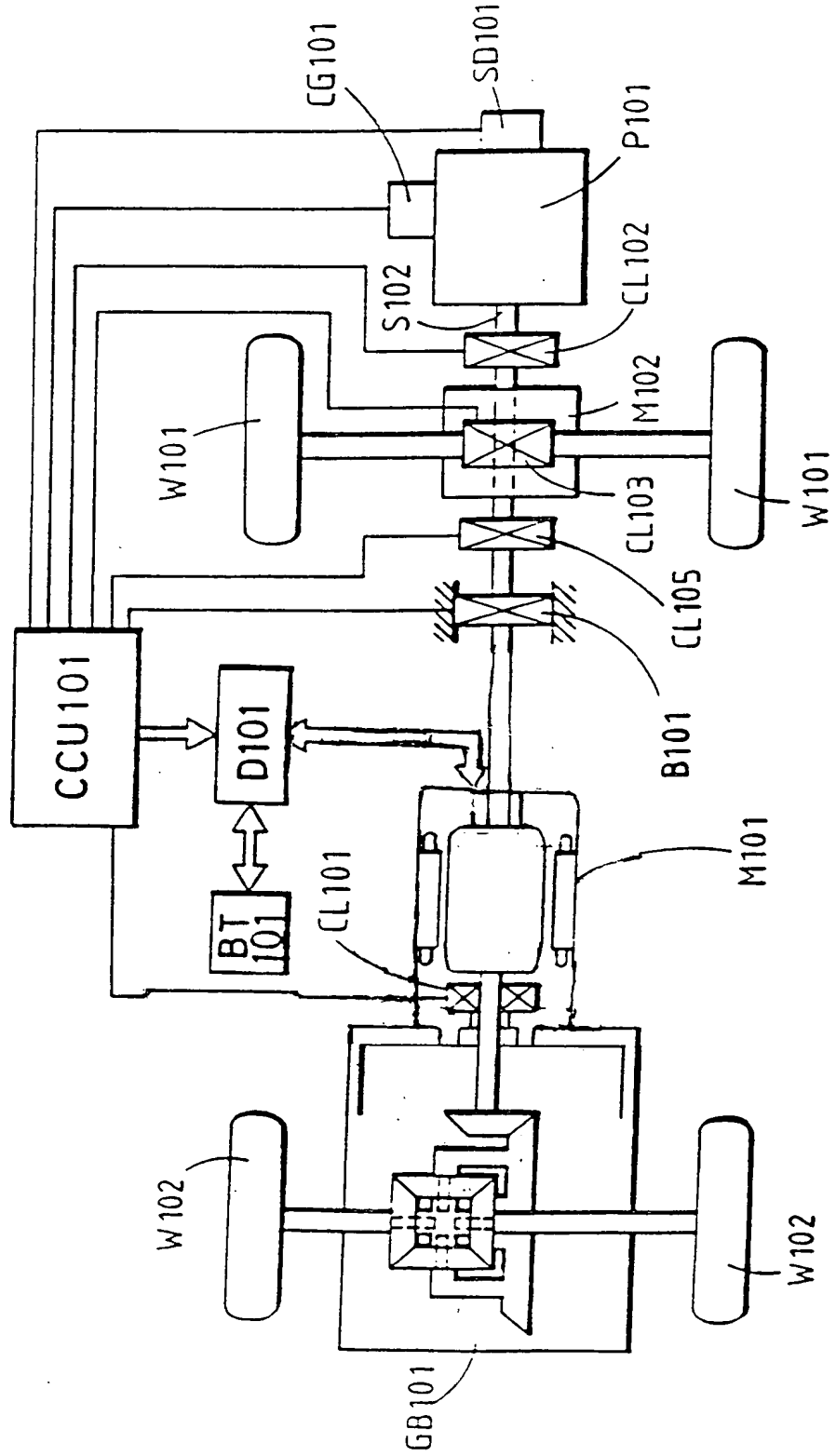


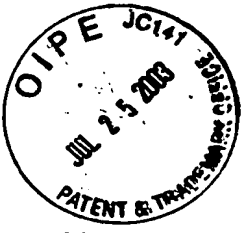
AMENDED FIG. 6





AMENDED FIG. 7





AMENDED FIG. 8

